

RPA SERIES INVERTED LCD/DLP PROJECTOR CEILING MOUNT

the focus:

Chief's RPA Series Inverted Ceiling Mount with the exclusive All-Points™ Security System combines classic features with reliable security to make the top-selling LCD/DLP projector mount better than ever. All-Points™ is integrated into the RPA at no additional cost and is optional to use. All the distinct features of the RPA are preserved, including independent Roll, Pitch and Yaw adjustments; easy installation; three possible mounting methods and a low-profile design.



FEATURES

- Includes All-Points™ Security System
- UL listed
- Low-profile, aesthetic design
- Easy installation – no assembly
- Independent Roll, Pitch and Yaw adjustments
- Quick projector disconnect/reconnect
- Maintains registration on reconnect
- Three ceiling mounting methods
- Flush mount without disassembly
- Compatible with LSB-100 Lateral Shift Bracket
- Convenient lamp and filter access
- Compatible with PG-1 Projector Guard™ Security Cage
- Cable management
- Allows natural convection ventilation

SPECIFICATIONS

Roll Adjustment: ±4 degrees adjustment up or down. Loosen screw, adjust mount and tighten screw to hold adjustment.

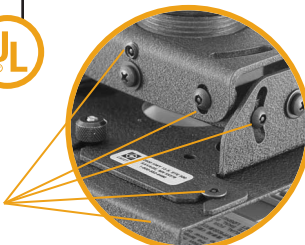
Pitch Adjustment: ±25 degrees adjustment on each side of the mount. Loosen screw, adjust mount and tighten screw to hold adjustment. Full range of pitch in a flush mount installation.

Yaw Adjustment: 360 degrees by turning the mount on the threaded column and securing in place with set screw. 10 degrees yaw possible on flush mount using slots in top of RPA.

Weight Capacity: 50 lbs.



KEY
CONNECTION
POINTS



FAQ

- Q. How does Chief's All-Points™ Security System work?
A. All-Points™ is included with each RPA and is optional to use. The system locks the projector and mount with security hardware at all key connection points: Roll, Pitch and Yaw adjustments; bracket-to-projector; and mount-to-bracket.
- Q. How does the new All-Points™ Security System keep the projector from being stolen?
A. Chief's exclusive All-Points™ system overcomes the weaknesses of many security accessories on the market by using tamperproof parts and a steel-into-steel design that prevents potential offenders from being able to cut or wrench components from the RPA.
- Q. How much assembly is required for the RPA?
A. None, just attach the SLB bracket to your projector. If you choose to use All-Points™ you will need to replace indicated screws with included hardware. No disassembly needed.
- Q. Do I have to order All-Points™ separately?
A. No, All-Points™ is included in all RPA packages at no additional cost and is optional to use.
- Q. Do I need to order the SLB projector bracket separately?
A. No, the assembly ships complete when you order an RPA ceiling mount. The SLB bracket is a separate part number and is used only for Chief SMART-LIFTS™. The RPA part number includes both the universal top and SLB bracket.
- Q. How much height will the RPA add to my installation?
A. The RPA top is only 1 3/4" high plus approximately 3/4" for the projector bracket.
- Q. If I use the RPA with a Suspended Ceiling Kit, do I need an extension column?
A. Yes. Any 1 1/2" NPT threaded extension column will work with Chief's Suspended Ceiling Kits. See page 26 for extension column accessories.
- Q. How much weight does the mount hold?
A. Each mount is custom designed to support the weight of the projector models specified. However, your ceiling must hold at least 5x the weight of your installation.
- Q. How does the RPA design create natural convection ventilation?
A. Chief's brackets are custom designed to allow for airflow that ventilates and helps cool projectors.

All-Points™ Security System

Chief's exclusive All-Points™ is an integrated security system that uses tamperproof parts and a steel-into-steel design to lock the mount at all key connection points: bracket-to-projector; mount-to-bracket; and Roll, Pitch and Yaw adjustments.

RPA SERIES INVERTED LCD/DLP PROJECTOR CEILING MOUNT

(CONTINUED)

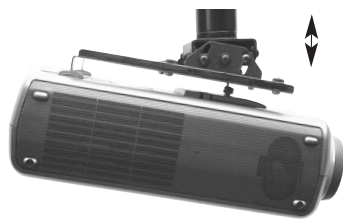
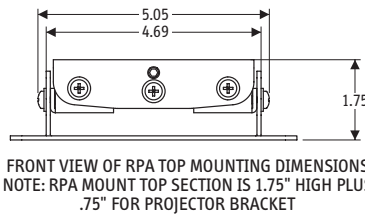
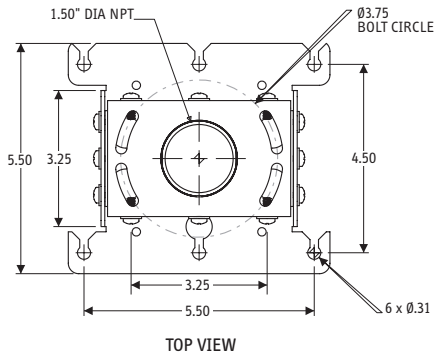
ORDERING STEPS

1. Determine which mount is used for your projector by cross-referencing the manufacturer and model number on pages 18–22. For the most recent cross-reference additions, visit www.chiefmfg.com or call Customer Service at 1.800.582.6480.
2. Decide which accessories you will need based on your installation. For a full line of accessories see pages 23–32.

ACCESSORIES

LSB-100	Lateral Shift Bracket
WMA-300	Wall Mount Arm
CMA-100	8" Ceiling Plate with Adjustable Extension Column
CMA-110	8" Ceiling Plate with 1 1/2" NPT Opening
CMA-115	6" Square Ceiling Plate with 1 1/2" NPT Opening
CMA-330	Offset Ceiling Plate with 1 1/2" NPT Coupler
CMA-440	Light Weight Suspended Ceiling Kit
CMA-450	Suspended Ceiling Kit
CMA-455	Suspended Ceiling Replacement Kit

MORE ACCESSORIES SEE PAGES 23–32.



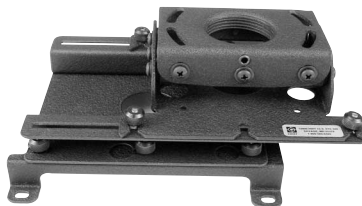
PITCH ADJUSTMENT $\pm 25^\circ$



ROLL ADJUSTMENT $\pm 4^\circ$



SLB BRACKET



LSB-100

SPECIFICATIONS

Three Mounting Methods:

1. Flush Mount to suitable ceilings using the four corner slots in top of the RPA mount. The RPA now allows you to flush mount without disassembly by providing suitable access for screwdrivers and socket sets. ± 25 degrees of pitch when flush mounted. 10 degrees yaw possible on flush mount with slots in top of RPA (Hardware not included).
2. 1/4" Threaded Rod using the four corner slots in the top of the RPA. (Threaded rod not included.)
3. 1 1/2" NPT Threaded Extension Column using the threaded opening at the top of the RPA mount. (Threaded Extension Column not included. See accessories on pages 23–32.)

Convenient Lamp and Filter Access:

Custom design of most RPA projector brackets provides needed access for: quick lamp changes, easy filter cleaning and proper projector ventilation.

Quick Projector Disconnect/Reconnect:

To quickly and easily remove the projector from the ceiling: loosen thumb nuts connecting the SLB bracket to the universal top. Remove projector and SLB from universal top. The universal top retains the registration adjustments. This feature makes projector servicing and maintenance quick and easy by eliminating the need for re-registration. (Included security wrench must be used to disconnect when thumb nuts are replaced with All-Points™ Security System hardware.)

LSB-100 Lateral Shift Accessory:

Chief's LSB-100 for RPA installations allows 3" right/left lateral adjustments to center the projector lens. This accessory keeps the quick disconnect feature of the RPA for easy projector disconnect/reconnect. An additional 2 3/4" right/left lateral adjustment is possible for projectors under 15 lbs. Includes All-Points™ Security System hardware to securely connect to the RPA and projector.